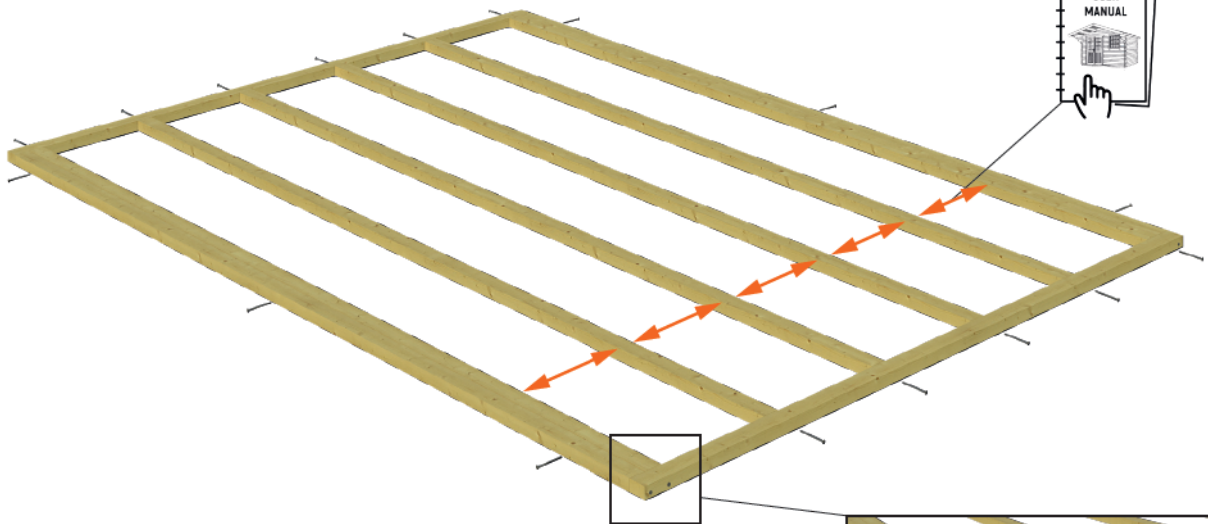
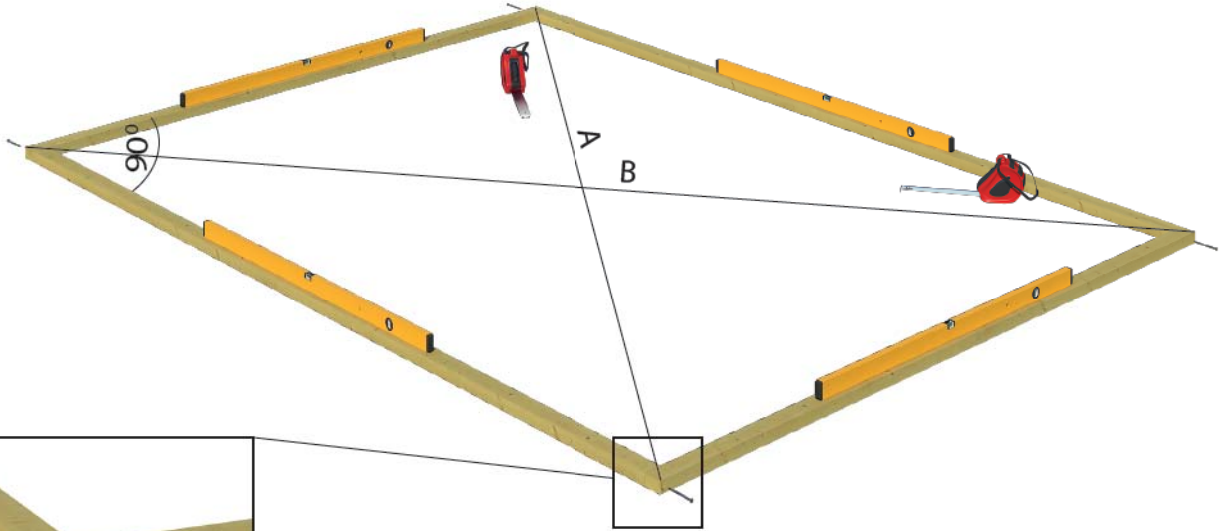
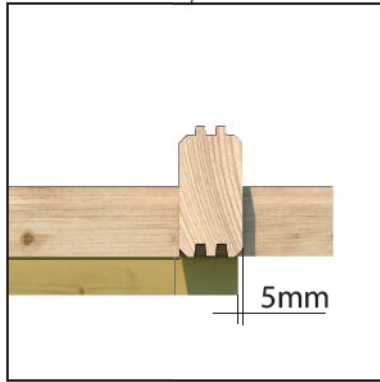
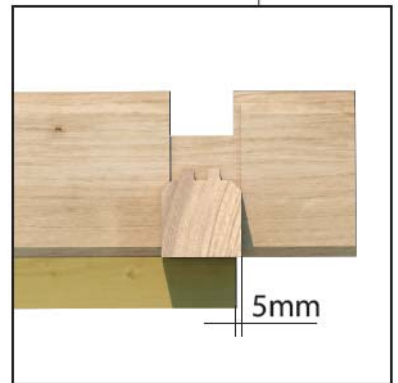
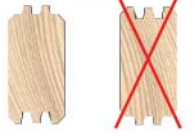
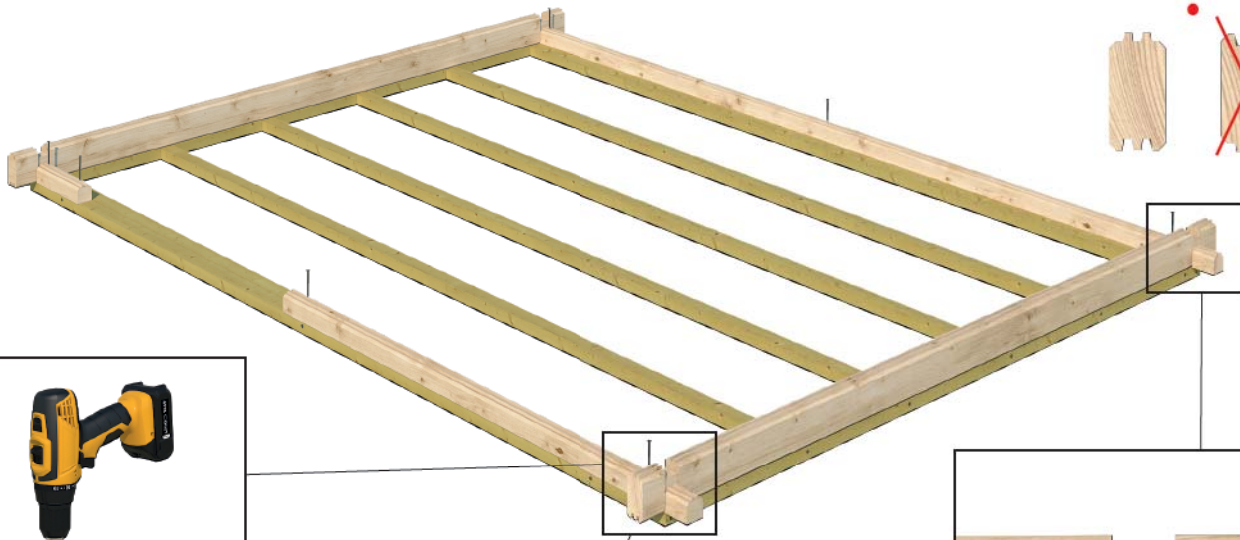




A = B







A = B

